

ERC COLLET CHUCKS (DIN 6499)

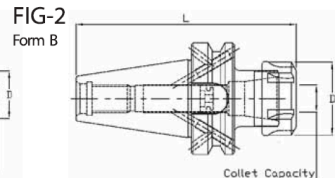
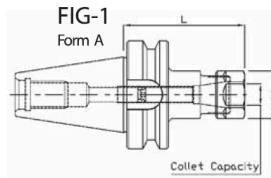
JIS B6339

TAPER ACCURACY
AT3

G VALUE
6.3

RPM
15000


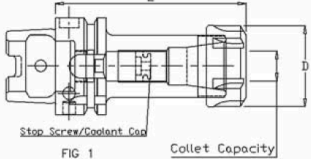
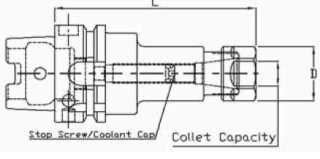
COOLANT
SYSTEM
AD, AD/B



Catalogue No	Collet Series	Collet Cap Min.-Max.	Fig	D	L	Wt.Kg	Locknut	Wrench	Stop Screw
BT30ERC16060M	16ER	0.5 - 10	1	28	60	0.6	LNHERC16M	OEW25M	BSS044038G
BT30ERC20060M	20ER	0.5 - 13	1	34	60	0.6	LNHERC20M	OEW30M	BSS056041G
BT30ERC25060M	25ER	1 - 16	2	42	60	0.6	LNERC25M	ERC25WM	BSS075041G
BT30ERC32070M	32ER	2 - 20	2	50	70	0.6	LNERC32M	ERC32WM	BSS094041G
BT40ERC16060M	16ER	0.5 - 10	1	28	60	1.4	LNHERC16M	OEW25M	BSS044038G
BT40ERC16120M	16ER	0.5 - 10	1	28	120	1.6	LNHERC16M	OEW25M	BSS044038G
BT40ERC25070M	25ER	1 - 16	2	42	70	1.3	LNERC25M	ERC25WM	BSS075041G
BT40ERC25120M	25ER	1 - 16	2	42	120	1.6	LNERC25M	ERC25WM	BSS075041G
BT40ERC32070M	32ER	2 - 20	2	50	70	1.4	LNERC32M	ERC32WM	BSS094041G
BT40ERC32120M	32ER	2 - 20	2	50	120	1.7	LNERC32M	ERC32WM	BSS094041G
BT40ERC40080M	40ER	3 - 26	2	63	80	1.5	LNERC40M	ERC40WM	BSS112041G
BT40ERC40120M	40ER	3 - 26	2	63	120	1.8	LNERC40M	ERC40WM	BSS112041G
BT40BERC16060M	16ER	0.5 - 10	1	28	60	1.4	LNHERC16M	OEW25M	BSS044038G
BT40BERC16120M	16ER	0.5 - 10	1	28	120	1.6	LNHERC16M	OEW25M	BSS044038G
BT40BERC25070M	25ER	1 - 16	2	42	70	1.3	LNERC25M	ERC25WM	BSS075041G
BT40BERC25120M	25ER	1 - 16	2	42	120	1.6	LNERC25M	ERC25WM	BSS075041G
BT40BERC32070M	32ER	2 - 20	2	50	70	1.4	LNERC32M	ERC32WM	BSS094041G
BT40BERC32120M	32ER	2 - 20	2	50	120	1.7	LNERC32M	ERC32WM	BSS094041G
BT40BERC40080M	40ER	3 - 26	2	63	80	1.5	LNERC40M	ERC40WM	BSS112041G
BT40BERC40120M	40ER	3 - 26	2	63	120	1.8	LNERC40M	ERC40WM	BSS112041G
BT50ERC16100M	16ER	0.5 - 10	1	28	10	3.2	LNHERC16M	OEW25M	BSS044038G
BT50ERC16150M	16ER	0.5 - 10	1	28	150	3.6	LNHERC16M	OEW25M	BSS044038G
BT50ERC25070M	25ER	1 - 16	2	42	70	3.2	LNERC25M	ERC25WM	BSS075041G
BT50ERC25150M	25ER	1 - 16	2	42	150	3.6	LNERC25M	ERC25WM	BSS075041G
BT50ERC32070M	32ER	2 - 20	2	50	70	3.4	LNERC32M	ERC32WM	BSS094041G
BT50ERC32150M	32ER	2 - 20	2	50	150	3.9	LNERC32M	ERC32WM	BSS094041G
BT50ERC40080M	40ER	3 - 26	2	63	80	3.6	LNERC40M	ERC40WM	BSS112041G
BT50ERC40150M	40ER	3 - 26	2	63	150	4.2	LNERC40M	ERC40WM	BSS112041G
BT50BERC16100M	16ER	0.5 - 10	1	28	10	3.2	LNHERC16M	OEW25M	BSS044038G
BT50BERC16150M	16ER	0.5 - 10	1	28	150	3.6	LNHERC16M	OEW25M	BSS044038G
BT50BERC25070M	25ER	1 - 16	2	42	70	3.2	LNERC25M	ERC25WM	BSS075041G
BT50BERC25150M	25ER	1 - 16	2	42	150	3.6	LNERC25M	ERC25WM	BSS075041G
BT50BERC32070M	32ER	2 - 20	2	50	70	3.4	LNERC32M	ERC32WM	BSS094041G
BT50BERC32150M	32ER	2 - 20	2	50	150	3.9	LNERC32M	ERC32WM	BSS094041G
BT50BERC40080M	40ER	3 - 26	2	63	80	3.6	LNERC40M	ERC40WM	BSS112041G

BT50BERC4 0150M	40ER	3 - 26	2	63	150	4.2	LNERC40M	ERC40WM	BSS112041G
Dynamically Balanced at : G6.3@15,000 RPM Order Example : BT40ERC40120M Dynamically balanced on Request G2.5@20,000 RPM Order Example : BT40ERC40120MG2.5				Scope of Supply : Basic Tool Holder, Locknut, Stopscrew Accessories : To be ordered separately ER Collets : Page No. Pull Stud : Page No. All details are subject to change without Notice					

ERC COLLET CHUCKS (DIN 6499)

DIN 69893	TAPER ACCURACY AT3	G VALUE 6.3	RPM 15000	COOLANT SYSTEM AD
				

Catalogue No	Collet Series	Collet Cap		Fig	D	L	Wt.Kg	Locknut	Wrench	Stop Screw
		Min.	Max.							
HSK50AERC 16100M	16ER	0.5	10	2	28	100	0.64	LNHERC16 M	OEW25M	BSS044038G
HSK50AERC 16160M	16ER	0.5	10	2	28	160	1.05	LNHERC16 M	OEW25M	BSS044038G
HSK50AERC 20100M	20ER	0.5	13	2	34	100	0.72	LNHERC20 M	OEW30M	BSS056041G
HSK50AERC 25100M	25ER	1	16	1	42	100	0.91	LNERC25M	ERC25WM	BSS075041G
HSK50AERC 32100M	32ER	2	20	1	50	100	0.9	LNERC32M	ERC32WM	BSS094041G
HSK63AERC 16100M	16ER	0.5	10	2	28	100	0.9	LNHERC16 M	OEW25WM	BSS044038G
HSK63AERC 16160M	16ER	0.5	10	2	28	160	1.32	LNHERC16 M	OEW25WM	BSS044038G
HSK63AERC 20100M	20ER	0.5	13	2	34	100	1.03	LNHERC20 M	OEW30M	BSS056041G
HSK63AERC 25100M	25ER	1	16	1	42	100	1.18	LNERC25M	ERC25WM	BSS075041G
HSK63AERC 32100M	32ER	2	20	1	50	100	1.37	LNERC32M	ERC32WM	BSS094041G
HSK63AERC 40120M	40ER	3	26	1	63	120	1.8	LNERC40M	ERC40WM	BSS112041G
HSK100AER C16100M	16ER	0.5	10	2	28	100	2.26	LNHERC16 M	OEW16WM	BSS044038G
HSK100AER C16160M	16ER	0.5	10	2	28	160	2.83	LNHERC16 M	OEW16WM	BSS044038G
HSK100AER C20100M	20ER	0.5	13	2	34	100	2.33	LNHERC20 M	OEW30M	BSS056041G
HSK100AER C25100M	25ER	1	16	1	42	100	2.51	LNERC25M	ERC25WM	BSS075041G
HSK100AER C32100M	32ER	2	20	1	50	100	2.7	LNERC32M	ERC32WM	BSS094041G
HSK100AER C40120M	40ER	3	26	1	63	120	3.51	LNERC40M	ERC40WM	BSS112041G

Dynamically Balanced at : G6.3@15,000 RPM Order Example : HSK50AERC20100M Dynamically balanced on Request G2.5@20,000 RPM Order Example : HSK50AERC20100MG2.5				Scope of Supply : Basic Tool Holder, Locknut, Stopscrew Accessories : To be ordered separately ER Collets : Page No. Pull Stud : Page No. All details are subject to change without Notice						
---	--	--	--	--	--	--	--	--	--	--

ERC COLLET CHUCKS (DIN 6499)

FRÄSPANNFUTTER - ER MANDRIN À PINCES - ER	DIN 69871	TAPER ACCURACY AT3	G VALUE 6.3	RPM 15000	COOLANT SYSTEM
--	-----------	-----------------------	----------------	--------------	-------------------



FIG-1
Form A

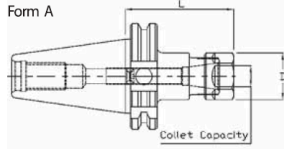
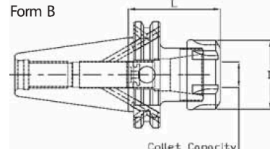


FIG-2
Form B



Catalogue No	Collet Series	Collet Cap	Fig	D	L	Wt.Kg	Locknut	Wrench	Stop Screw
		Min.-Max.							
DV40ERC16 070M	16ER	0.5 - 10	1	28	70	1.3	LNHERC16 M	OEW25M	BSS044038G
DV40ERC16 120M	16ER	0.5 - 10	1	28	120	1.6	LNHERC16 M	OEW25M	BSS044038G
DV40ERC25 065M	25ER	1 - 16	2	42	65	1.2	LNERC25M	ERC25WM	BSS075041G
DV40ERC25 120M	25ER	1 - 16	2	42	120	1.5	LNERC25M	ERC25WM	BSS075041G
DV40ERC32 070M	32ER	2 - 20	2	50	70	1.3	LNERC32M	ERC32WM	BSS094041G
DV40ERC32 120M	32ER	2 - 20	2	50	120	1.6	LNERC32M	ERC32WM	BSS094041G
DV40ERC40 080M	40ER	3 - 26	2	63	80	1.4	LNERC40M	ERC40WM	BSS112041G
DV40ERC40 120M	40ER	3 - 26	2	63	120	1.7	LNERC40M	ERC40WM	BSS112041G
DV40BERC1 6070M	16ER	0.5 - 10	1	28	70	1.3	LNHERC16 M	OEW25M	BSS044038G
DV40BERC1 6120M	16ER	0.5 - 10	1	28	120	1.6	LNHERC16 M	OEW25M	BSS044038G
DV40BERC2 5065M	25ER	1 - 16	2	42	65	1.2	LNERC25M	ERC25WM	BSS075041G
DV40BERC2 5120M	25ER	1 - 16	2	42	120	1.5	LNERC25M	ERC25WM	BSS075041G
DV40BERC3 2070M	32ER	2 - 20	2	50	70	1.3	LNERC32M	ERC32WM	BSS094041G
DV40BERC3 2120M	32ER	2 - 20	2	50	120	1.6	LNERC32M	ERC32WM	BSS094041G
DV40BERC4 0080M	40ER	3 - 26	2	63	80	1.4	LNERC40M	ERC40WM	BSS112041G
DV40BERC4 0120M	40ER	3 - 26	2	63	120	1.7	LNERC40M	ERC40WM	BSS112041G
DV50ERC16 100M	16ER	0.5 - 10	1	28	100	3	LNHERC16 M	OEW25M	BSS044038G
DV50ERC16 150M	16ER	0.5 - 10	1	28	150	3.5	LNHERC16 M	OEW25M	BSS044038G
DV50ERC25 070M	25ER	1 - 16	2	42	70	3	LNERC25M	ERC25WM	BSS075041G
DV50ERC25 150M	25ER	1 - 16	2	42	150	3.5	LNERC25M	ERC25WM	BSS075041G
DV50ERC32 070M	32ER	2 - 20	2	50	70	3.2	LNERC32M	ERC32WM	BSS094041G
DV50ERC32 150M	32ER	2 - 20	2	50	150	3.7	LNERC32M	ERC32WM	BSS094041G
DV50ERC40 080M	40ER	3 - 26	2	63	80	3.5	LNERC40M	ERC40WM	BSS112041G
DV50ERC40 150M	40ER	3 - 26	2	63	150	4.5	LNERC40M	ERC40WM	BSS112041G
DV50BERC1 6100M	16ER	0.5 - 10	1	28	100	3	LNHERC16 M	OEW25M	BSS044038G
DV50BERC1 6150M	16ER	0.5 - 10	1	28	150	3.5	LNHERC16 M	OEW25M	BSS044038G
DV50BERC2 5070M	25ER	1 - 16	2	42	70	3	LNERC25M	ERC25WM	BSS075041G
DV50BERC2 5150M	25ER	1 - 16	2	42	150	3.5	LNERC25M	ERC25WM	BSS075041G
DV50BERC3 2070M	32ER	2 - 20	2	50	70	3.2	LNERC32M	ERC32WM	BSS094041G
DV50BERC3 2150M	32ER	2 - 20	2	50	150	3.7	LNERC32M	ERC32WM	BSS094041G
DV50BERC4 0080M	40ER	3 - 26	2	63	80	3.5	LNERC40M	ERC40WM	BSS112041G

DV50BERC4 0150M	40ER	3 - 26	2	63	150	4.5	LNERC40M	ERC40WM	BSS112041G
Dynamically Balanced at : G6.3@15,000 RPM Order Example : DV40ERC32070M Dynamically balanced on Request G2.5@20,000 RPM Order Example : DV40ERC32070MG2.5				Scope of Supply : Basic Tool Holder, Locknut, Stopscrew Accessories : To be ordered seperately ER Collets : Page No. Pull Stud : Page No. All details are subject to change without Notice					

ERC COLLET CHUCKS (DIN 6499)

FRÄSERSPANNFUTTER - ER
MANDRIN À PINCES - ER
MANDRINO PORTA PINZE
PORTAPINZAS - ER

ANSI B5.5

TAPER ACCURACY
AT3

G VALUE
6.3

RPM
15000

COOLANT
SYSTEM
AD , AD/B



FIG-1
Form A

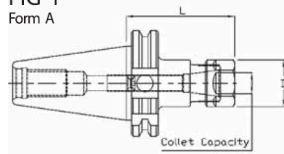
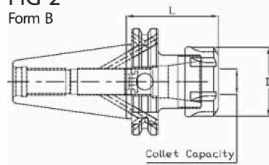


FIG-2
Form B



Catalogue No	Collet Series	Collet Cap	Fig	D	L	Wt.Kg	Locknut	Wrench	Stop Screw
		Min.-Max.							
CV40ERC16 250	16ER	0.02 – 0.41	1	1.1	2.5	2.4	LNHERC16 M	OEW25M	BSS044038G
CV40ERC16 500	16ER	0.02 – 0.41	1	1.1	5	3.2	LNHERC16 M	OEW25M	BSS044038G
CV40ERC20 250	20ER	0.02 – 0.50	1	1.34	2.5	2.4	LNHERC20 M	OEW30M	BSS056041G
CV40ERC20 600	20ER	0.02 – 0.50	1	1.34	6	3.7	LNHERC20 M	OEW30M	BSS056041G
CV40ERC25 250	25ER	0.04 – 0.63	2	1.65	2.5	2.6	LNERC25M	ERC25WM	BSS075041G
CV40ERC25 600	25ER	0.04 – 0.63	2	1.65	2.5	4.4	LNERC25M	ERC25WM	BSS075041G
CV40ERC32 275	32ER	0.04 – 0.81	2	1.97	2.75	2.6	LNERC32M	ERC32WM	BSS094041G
CV40ERC32 600	32ER	0.04 – 0.81	2	1.97	6	4.4	LNERC32M	ERC32WM	BSS094041G
CV40ERC40 300	40ER	0.12 – 1.00	2	2.48	3	3	LNERC40M	ERC40WM	BSS112041G
CV40ERC40 600	40ER	0.12 – 1.00	2	2.48	6	3	LNERC40M	ERC40WM	BSS112041G
CV40BERC1 6250	16ER	0.02 – 0.41	1	1.1	2.5	2.4	LNHERC16 M	OEW25M	BSS044038G
CV40BERC1 6500	16ER	0.02 – 0.41	1	1.1	5	3.2	LNHERC16 M	OEW25M	BSS044038G
CV40BERC2 0250	20ER	0.02 – 0.50	1	1.34	2.5	2.4	LNHERC20 M	OEW30M	BSS056041G
CV40BERC2 0600	20ER	0.02 – 0.50	1	1.34	6	3.7	LNHERC20 M	OEW30M	BSS056041G
CV40BERC2 5250	25ER	0.04 – 0.63	2	1.65	2.5	2.6	LNERC25M	ERC25WM	BSS075041G
CV40BERC2 5600	25ER	0.04 – 0.63	2	1.65	2.5	4.4	LNERC25M	ERC25WM	BSS075041G
CV40BERC3 2275	32ER	0.04 – 0.81	2	1.97	2.75	2.6	LNERC32M	ERC32WM	BSS094041G
CV40BERC3 2600	32ER	0.04 – 0.81	2	1.97	6	4.4	LNERC32M	ERC32WM	BSS094041G
CV40BERC4 0300	40ER	0.12 – 1.00	2	2.48	3	3	LNERC40M	ERC40WM	BSS112041G
CV40BERC4 0600	40ER	0.12 – 1.00	2	2.48	6	3	LNERC40M	ERC40WM	BSS112041G
CV50ERC16 400	16ER	0.02 – 0.41	1	1.1	4	7.3	LNHERC16 M	OEW25M	BSS044038G
CV50ERC16 600	16ER	0.02 – 0.41	1	1.1	6	7.9	LNHERC16 M	OEW25M	BSS044038G
CV50ERC20 400	20ER	0.02 – 0.50	1	1.34	4	7.4	LNHERC20 M	OEW30M	BSS056041G

CV50ERC20 600	20ER	0.02 – 0.50	1	1.34	6	8.1	LNHERC20 M	OEW30M	BSS056041G
CV50ERC25 400	25ER	0.04 – 0.63	2	1.65	4	7.8	LNERC25M	ERC25WM	BSS075041G
CV50ERC25 600	25ER	0.04 – 0.63	2	1.65	6	8.8	LNERC25M	ERC25WM	BSS075041G
CV50ERC32 400	32ER	0.04 – 0.81	2	1.97	4	8.1	LNERC32M	ERC32WM	BSS094041G
CV50ERC32 600	32ER	0.04 – 0.81	2	1.97	6	9.5	LNERC32M	ERC32WM	BSS094041G
CV50ERC40 400	40ER	0.12 – 1.00	2	2.48	4	8.9	LNERC40M	ERC40WM	BSS112041G
CV50ERC40 600	40ER	0.12 – 1.00	2	2.48	6	11.8	LNERC40M	ERC40WM	BSS112041G
CV50BERC1 6250	16ER	0.02 – 0.41	1	1.1	2.5	6.83	LNHERC16 M	OEW25M	BSS044038G
CV50BERC1 6400	16ER	0.02 – 0.41	1	1.1	4	6.95	LNHERC16 M	OEW25M	BSS044038G
CV50BERC1 6600	16ER	0.02 – 0.41	1	1.1	6	7.43	LNHERC16 M	OEW25M	BSS044038G
CV50BERC2 0250	20ER	0.02 – 0.50	1	1.34	2.5	6.77	LNHERC20 M	OEW30M	BSS056041G
CV50BERC2 0400	20ER	0.02 – 0.50	1	1.34	4	7.14	LNHERC20 M	OEW30M	BSS056041G
CV50BERC2 0600	20ER	0.02 – 0.50	1	1.34	6	7.71	LNHERC20 M	OEW30M	BSS056041G
CV50BERC2 5250	25ER	0.04 – 0.63	2	1.65	2.5	6.83	LNERC25M	ERC25WM	BSS075041G
CV50BERC2 5400	25ER	0.04 – 0.63	2	1.65	4	7.53	LNERC25M	ERC25WM	BSS075041G
CV50BERC2 5600	25ER	0.04 – 0.63	2	1.65	6	8.41	LNERC25M	ERC25WM	BSS075041G
CV50BERC3 2275	32ER	0.04 – 0.81	2	1.97	2.75	6.89	LNERC32M	ERC32WM	BSS094041G
CV50BERC3 2400	32ER	0.04 – 0.81	2	1.97	4	7.52	LNERC32M	ERC32WM	BSS094041G
CV50BERC3 2600	32ER	0.04 – 0.81	2	1.97	6	9.13	LNERC32M	ERC32WM	BSS094041G
CV50BERC4 0300	40ER	0.12 – 1.00	2	2.48	3	7.24	LNERC40M	ERC40WM	BSS112041G
CV50BERC4 0600	40ER	0.12 – 1.00	2	2.48	6	10.5	LNERC40M	ERC40WM	BSS112041G
Dynamically Balanced at : G6.3@15,000 RPM Order Example : CV50ERC16600 Dynamically balanced on Request G2.5@20,000 RPM Order Example : CV50ERC16600G2.5				Scope of Supply : Basic Tool Holder, Locknut, Stopscrew Accessories : To be ordered seperately ER Collets : Page No. Pull Stud : Page No. All details are subject to change without Notice					