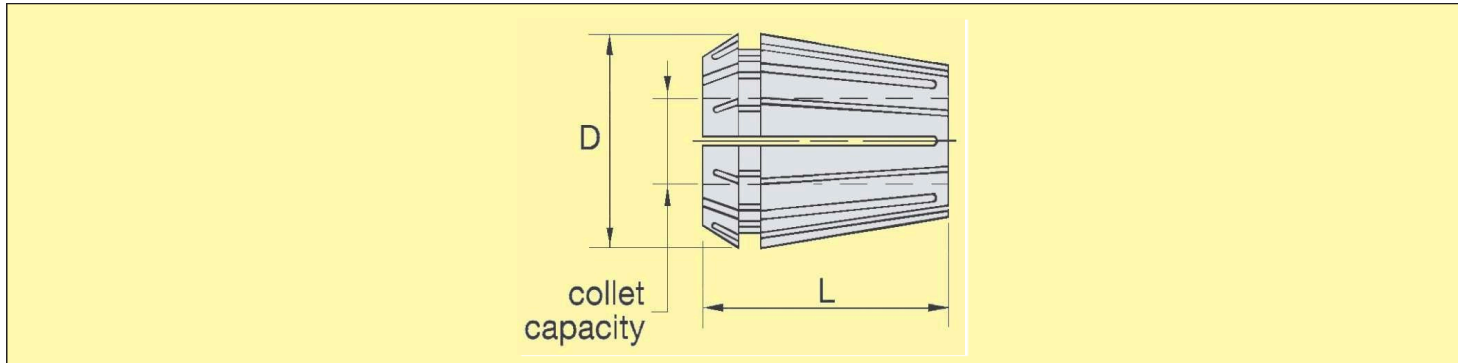


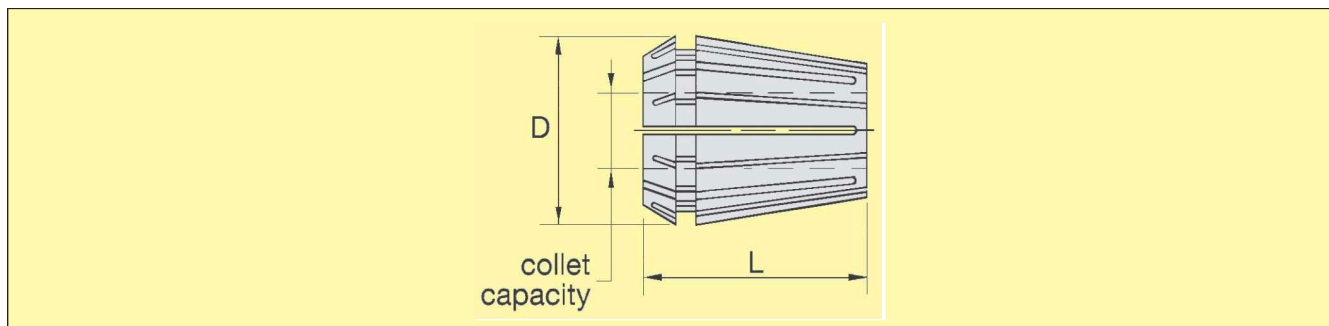
## ER COLLETS - METRIC (DIN6499)



Collet Capacity Max - Min	ER-16 D=17 L=27.5	ER-20 D=21 L=31.5	ER-25 D=26 L=34	ER-32 D=33 L=40	ER-40 D=41 L=46
	Catalogue No	Catalogue No	Catalogue No	Catalogue No	Catalogue No
1.0 — 0.5	16ER010M	20ER010M			
1.5 — 1.0	16ER015M				
2.0 — 1.0	16ER020M	20ER020M	25ER020M		
2.5 — 1.5	16ER025M				
3.0 — 2.0	16ER030M	20ER030M	25ER030M	32ER030M	
3.5 — 2.5	16ER035M				
4.0 — 3.0	16ER040M	20ER040M	25ER040M	32ER040M	40ER040M
4.5 — 3.5	16ER045M				
5.0 — 4.0	16ER050M	20ER050M	25ER050M	32ER050M	40ER050M
5.5 — 4.5	16ER055M				
6.0 — 5.0	16ER060M	20ER060M	25ER060M	32ER060M	40ER060M
6.5 — 5.5	16ER065M				
7.0 — 6.0	16ER070M	20ER070M	25ER070M	32ER070M	40ER070M
7.5 — 6.5	16ER075M				
8.0 — 7.0	16ER080M	20ER080M	25ER080M	32ER080M	40ER080M
8.5 — 7.5	16ER085M				
9.0 — 8.0	16ER090M	20ER090M	25ER090M	32ER090M	40ER090M

9.5 — 8.5	16ER095M				
10.0 — 9.0	16ER100M	20ER100M	25ER100M	32ER100M	40ER100M
11.0 — 10.0		20ER110M	25ER110M	32ER110M	40ER110M
12.0 — 11.0		20ER120M	25ER120M	32ER120M	40ER120M
13.0 — 12.0		20ER130M	25ER130M	32ER130M	40ER130M
14.0 - 13.0			25ER140M	32ER140M	40ER140M
15.0 — 14.0			25ER150M	32ER150M	40ER150M
16.0 — 15.0			25ER160M	32ER160M	40ER160M
17.0 — 16.0				32ER170M	40ER170M
18.0 — 17.0				32ER180M	40ER180M
19.0 — 18.0				32ER190M	40ER190M
20.0 — 19.0				32ER200M	40ER200M
21.0 — 20.0					40ER210M
22.0 — 21.0					40ER220M
23.0 — 22.0					40ER230M
24.0 — 23.0					40ER240M
25.0 — 24.0					40ER250M
26.0 — 25.0					40ER260M
Manufactured to DIN 6499, Accuracy to-DIN 6499 Class II Wide clamping range Max.Collapse =1mm Order Example - 16ER010M			Bonded Collets are available on request Max.Collapse = 0.10mm Suitable for Coolant pressure upto-70 bar Order Example — 16ER010MB		

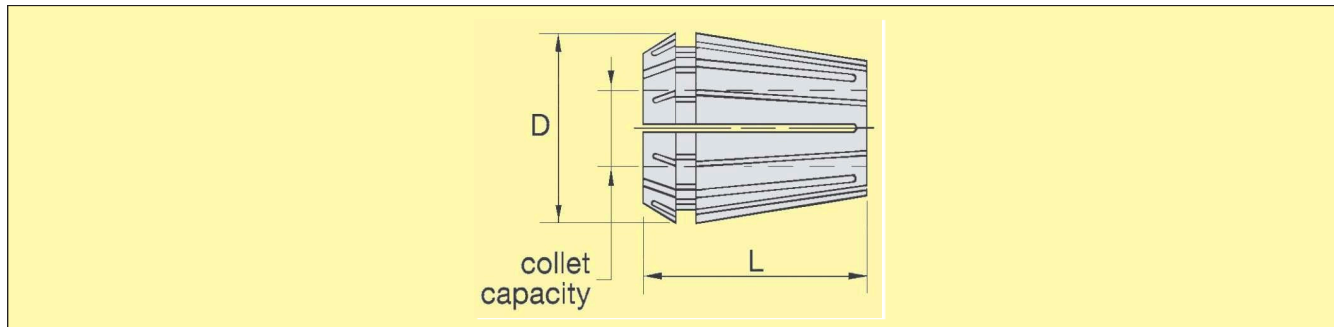
## ER COLLETS - METRIC (DIN6499) (High Precision)



Collet	ER-16 D=17 L=27.5	ER-20 D=21 L=31.5	ER-25 D=26 L=34	ER-32 D=33 L=40	ER-40 D=41 L=46
Bore Diameter					
H7	Catalogue No	Catalogue No	Catalogue No	Catalogue No	Catalogue No
1	16HPER010M	20HPER010M			
1.5	16HPER015M	20HPER015M			
2	16HPER020M	20HPER020M	25HPER020M		
2.5	16HPER025M	20HPER025M	25HPER025M		
3	16HPER030M	20HPER030M	25HPER030M	32HPER030M	
3.5	16HPER035M	20HPER035M	25HPER035M	32HPER035M	
4	16HPER040M	20HPER040M	25HPER040M	32HPER040M	40HPER040M
4.5	16HPER045M	20HPER045M	25HPER045M	32HPER045M	40HPER045M
5	16HPER050M	20HPER050M	25HPER050M	32HPER050M	40HPER050M
5.5	16HPER055M	20HPER055M	25HPER055M	32HPER055M	40HPER055M
6	16HPER060M	20HPER060M	25HPER060M	32HPER060M	40HPER060M
6.5	16HPER065M	20HPER065M	25HPER065M	32HPER065M	40HPER065M
7	16HPER070M	20HPER070M	25HPER070M	32HPER070M	40HPER070M
7.5	16HPER075M	20HPER075M	25HPER075M	32HPER075M	40HPER075M
8	16HPER080M	20HPER080M	25HPER080M	32HPER080M	40HPER080M
8.5	16HPER085M	20HPER085M	25HPER085M	32HPER085M	40HPER085M
9	16HPER090M	20HPER090M	25HPER090M	32HPER090M	40HPER090M
9.5	16HPER095M	20HPER095M	25HPER09500	32HPER095M	40HPER095M
10	16HPER100M	20HPER100M	25HPER100M	32HPER100M	40HPER100M
11		20HPER110M	25HPER110M	32HPER110M	40HPER110M
12		20HPER120M	25HPER120M	32HPER120M	40HPER120M
13		20HPER130M	25HPER130M	32HPER130M	40HPER130M
14			25HPER140M	32HPER140M	40HPER140M
15			25HPER150M	32HPER150M	40HPER150M
16			25HPER160M	32HPER160M	40HPER160M
17				32HPER170M	40HPER170M
18				32HPER180M	40HPER180M
19				32HPER190M	40HPER190M
20				32HPER200M	40HPER200M
21					40HPER210M
22					40HPER220M

23				40HPER230M
24				40HPER240M
25				40HPER250M
26				40HPER260M
Manufactured to DIN 6499, Accuracy to-DIN 6499 Class I TIR Less Than 10 Micron Wide clamping range Max.Collapse =0.05mm Order Example - 16HPER010M				

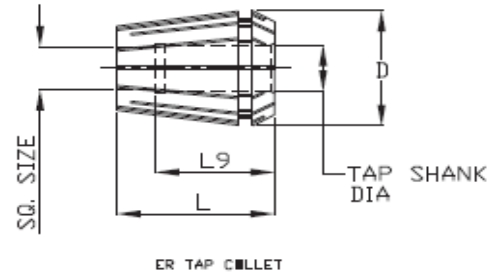
### ER COLLETS - METRIC (DIN6499) (Steel Sealed)



Collet Sore Diameter	ER-16 D=17 L=27.5	ER-20 D=21 L=31.5	ER-25 D=26 L=34	ER-32 D=33 L=40	ER-40 D=41 L=46
	Catalogue No	Catalogue No	Catalogue No	Catalogue No	Catalogue No
H7					
1	16ER010MS	20ER010MS			
1.5	16ER015MS	20ER015MS			
2	16ER020MS	20ER020MS	25ER020MS		
2.5	16ER025MS	20ER025MS	25ER025MS		
3	16ER030MS	20ER030MS	25ER030MS	32ER030MS	
3.5	16ER035MS	20ER035MS	25ER035MS	32ER035MS	
4	16ER040MS	20ER040MS	25ER040MS	32ER040MS	40ER040MS
4.5	16ER045MS	20ER045MS	25ER045MS	32ER045MS	40ER045MS
5	16ER050MS	20ER050MS	25ER050MS	32ER050MS	40ER050MS
5.5	16ER055MS	20ER055MS	25ER055MS	32ER055MS	40ER055MS

6	16ER060MS	20ER060MS	25ER060MS	32ER060MS	40ER060MS
6.5	16ER065MS	20ER065MS	25ER065MS	32ER065MS	40ER065MS
7	16ER070MS	20ER070MS	25ER070MS	32ER070MS	40ER070MS
7.5	16ER075MS	20ER075MS	25ER075MS	32ER075MS	40ER075MS
8	16ER080MS	20ER080MS	25ER080MS	32ER080MS	40ER080MS
8.5	16ER085MS	20ER085MS	25ER085MS	32ER085MS	40ER085MS
9	16ER090MS	20ER090MS	25ER090MS	32ER090MS	40ER090MS
9.5	16ER095MS	20ER095MS	25ER095MS	32ER095MS	40ER095MS
10	16ER105MS	20ER100MS	25ER100MS	32ER100MS	40ER100MS
11		20ER110MS	25ER110MS	32ER110MS	40ER110MS
12		20ER120MS	25ER120MS	32ER120MS	40ER120MS
13		20ER130MS	25ER130MS	32ER130MS	40ER130MS
14			25ER140MS	32ER140MS	40ER140MS
15			25ER150MS	32ER150MS	40ER150MS
16			25ER160MS	32ER160MS	40ER160MS
17				32ER170MS	40ER170MS
18				32ER180MS	40ER180MS
19				32ER190MS	40ER190MS
20				32ER200MS	40ER200MS
21					40ER210MS
22					40ER220MS
23					40ER230MS
24					40ER240MS
25					40ER250MS
Manufactured to DIN 6499, Accuracy to-DIN 6499 Class II TIR Less Than 20 Micron Wide clamping range Max.Collapse =0.05mm Order Example - 16ER010MS					

**ER TAP COLLETS - METRIC (DIN6499)**



Collet Series	TAP SIZE	ER Tap Collet No	Shank Dia	Square Size	
16ER Solid Tap Collet - Metric DIN & ISO					
16ER	M4 & M6	16ERTC 045 034M	4,5	3,4	0.05
16ER		16ERTC 055 043M	5,5	4,3	0.05
16ER	M5 / M6 / M7 / M8	16ERTC 060 049M	6,0	4,9	0.05
16ER	M10	16ERTC 070 OSSM	7,0	5,5	0.05
16ER	M8	16ERTC 080 062M	8,0	6,2	0.05
16ER	M12	16ERTC 090 070M	9,0	7,0	0.05
20ER Solid Tap Collet - Metric DIN & ISO					
20ER	M4 & M6	20ERTC 045 034M	4,5	3,4	0.05
20ER		20ERTC 055 043M	5,5	4,3	0.05
20ER	M5 / M6 / M7 / M8	20ERTC 060 049M	6,0	4,9	0.05
20ER	M10	20ERTC 070 OSSM	7,0	5,5	0.05
20ER	M8	20ERTC 080 062M	8,0	6,2	0.05
20ER	M12	20ERTC 090 070M	9,0	7,0	0.05
20ER	M10	20ERTC 100 080M	10,0	8,0	0.05
20ER	M14	20ERTC 110 090M	11,0	9,0	0.05
25ER Solid Tap Collet - Metric DIN & ISO					
25ER	M4 & M6	25ERTC 045 034M	4,5	3,4	0.05
25ER		25ERTC 055 043M	5,5	4,3	0.05
25ER	M5 / M6 / M7 / M8	25ERTC 060 049M	6,0	4,9	0.05
25ER	M10	25ERTC 070 OSSM	7,0	5,5	0.05
25ER	M8	25ERTC 080 062M	8,0	6,2	0.05
25ER	M12	25ERTC 090 070M	9,0	7,0	0.05
25ER	M10	25ERTC 100 080M	10,0	8,0	0.05

25ER	M14	25ERTC 110 090M	11,0	9,0	0.05
25ER	M16	25ERTC 120 090M	12,0	9,0	0.05
32ER Solid Tap Collet - Metric DIN & ISO					
32ER	M4& M6	32ERTC 045 034M	4,5	3,4	0.05
32ER		32ERTC 055 043M	5,5	4,3	0.05
32ER	M5/ M6/ M7/ M8	32ERTC 060 049M	6,0	4,9	0.05
32ER	M10	32ERTC 070 OSSM	7,0	5,5	0.05
32ER	M8	32ERTC 080 062M	8,0	6,2	0.05
32ER	M12	32ERTC 090 070M	9,0	7,0	0.05
32ER	M10	32ERTC 100 080M	10,0	8,0	0.05
32ER	M14	32ERTC 110 090M	11,0	9,0	0.05
32ER	M16	32ERTC 120 090M	12,0	9,0	0.05
32ER	M18	32ERTC 140 110M	14,0	11,0	0.05
32ER	M20	32ERTC 160 120M	16,0	12,0	0.05
32ER	M22 & M24	32ERTC 180 145M	18,0	14,5	0.05
32ER	M27 & M30	32ERTC 200 160M	20,0	16,0	0.05
40ER Solid Tap Collet - Metric DIN & ISO					
40ER	M8	40ERTC 080 062M	8,0	6,2	0.05
40ER	M10	40ERTC 070 OSSM	7,0	5,5	0.05
40ER	M12	40ERTC 090 070M	9,0	7,0	0.05
40ER	M10	40ERTC 100 080M	10,0	8,0	0.05
40ER	M14	40ERTC 110 090M	11,0	9,0	0.05
40ER	M16	40ERTC 120 090M	12,0	9,0	0.05
40ER	M18	40ERTC 140 110M	14,0	11,0	0.05
40ER	M20	40ERTC 160 120M	16,0	12,0	0.05
40ER	M22 & M24	40ERTC 180 145M	18,0	14,5	0.05
40ER	M27 & M30	40ERTC 200 160M	20	16,0	0.05
40ER	M30	40ERTC 220 180M	22	18,0	0.05

## Metric Collet Set



<b>CATALOGUE NO</b>	<b>1-WOODEN TRAY CONSIST OF NO.-PIECES FROM — TO DIA INCREMENTS</b>
<b>16ERS000M</b>	<b>10-Pieces 1.00mm to 10.00mm 1.00mm Increments</b>
<b>20ERS000M</b>	<b>12-Pieces 2.00mm to 13.00mm 1.00mm Increments</b>
<b>25ERS000M</b>	<b>15-Pieces 2.00mm to 16.00mm 1.00mm Increments</b>
<b>32ERS000M</b>	<b>18-Pieces 3.00mm to 20.00mm 1.00mm Increments</b>
<b>40ERS000M</b>	<b>23-Pieces 4.00mm to 26mm 1.00mm Increments</b>